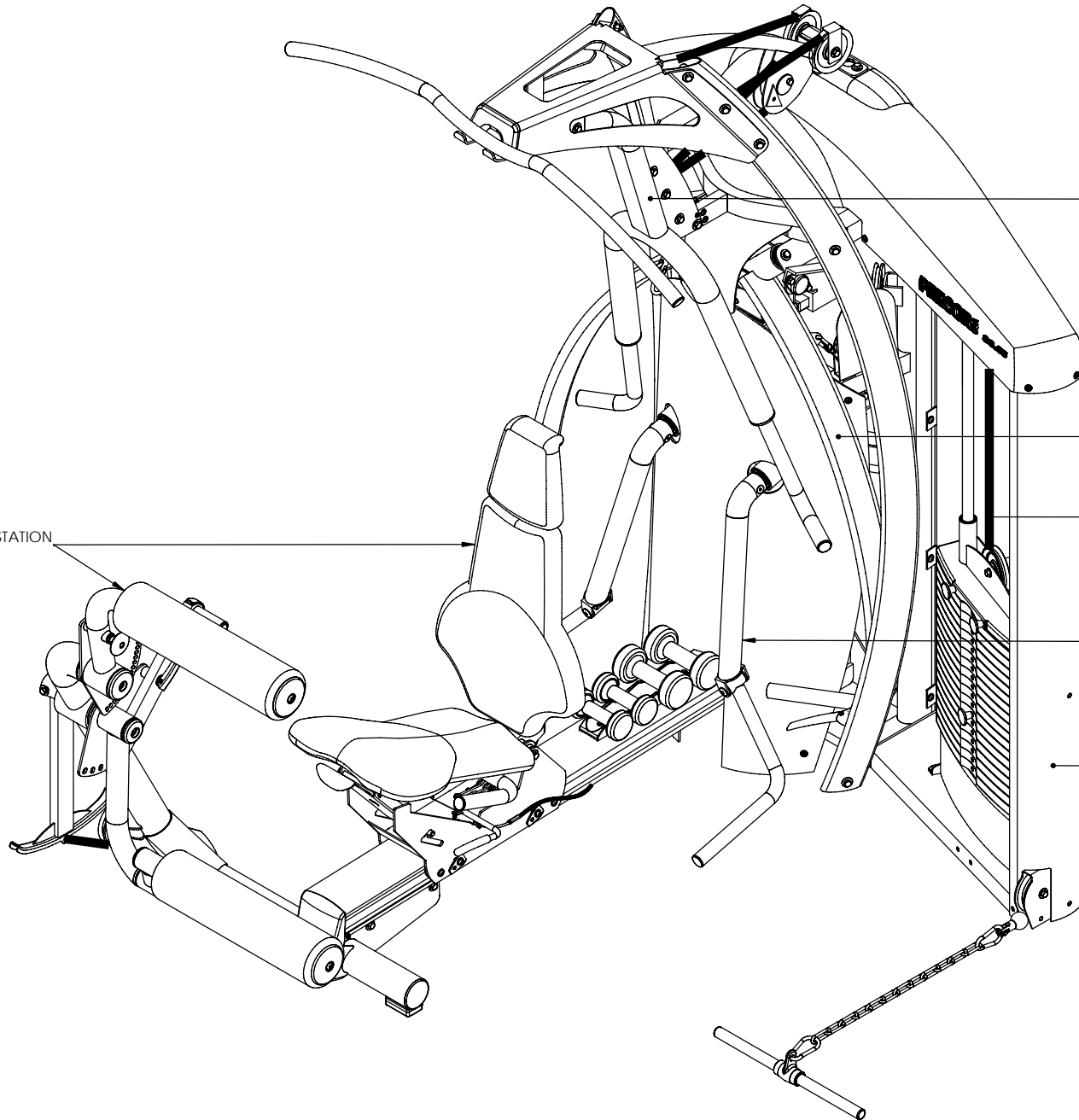


SEAT & LEG STATION
(SHEETS 2-5)



ROW ARM, & LAT BAR
(SHEETS 9 & 10)

PRESS ARM
(SHEETS 6 - 8)

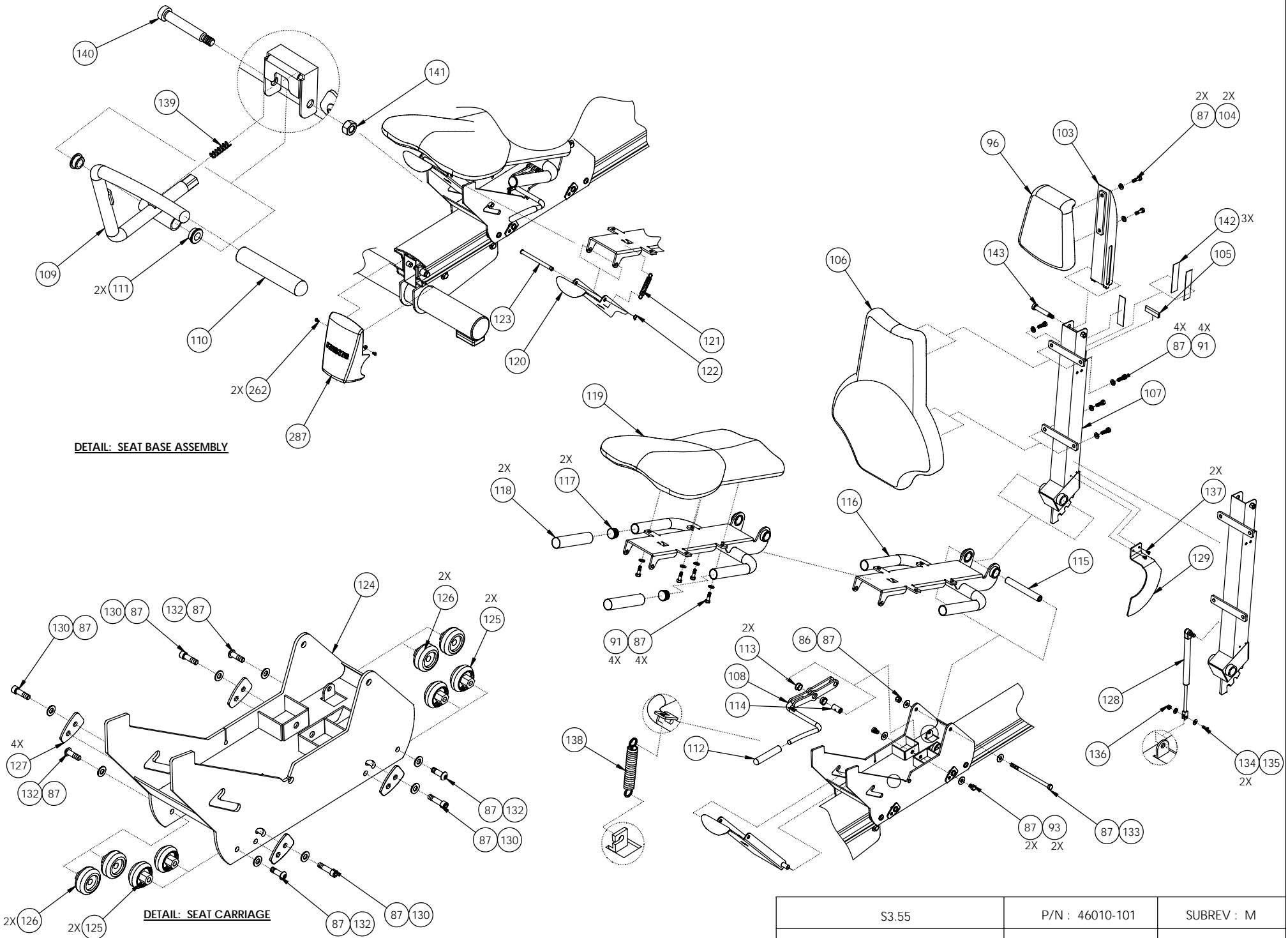
CABLE DETAIL
(SHEET 11)

PEC FLY
(SHEETS 12-14)

SHROUD INSTALLATION
(SHEET 15)

* LEG PRESS OPTION: SHEETS 16-18.

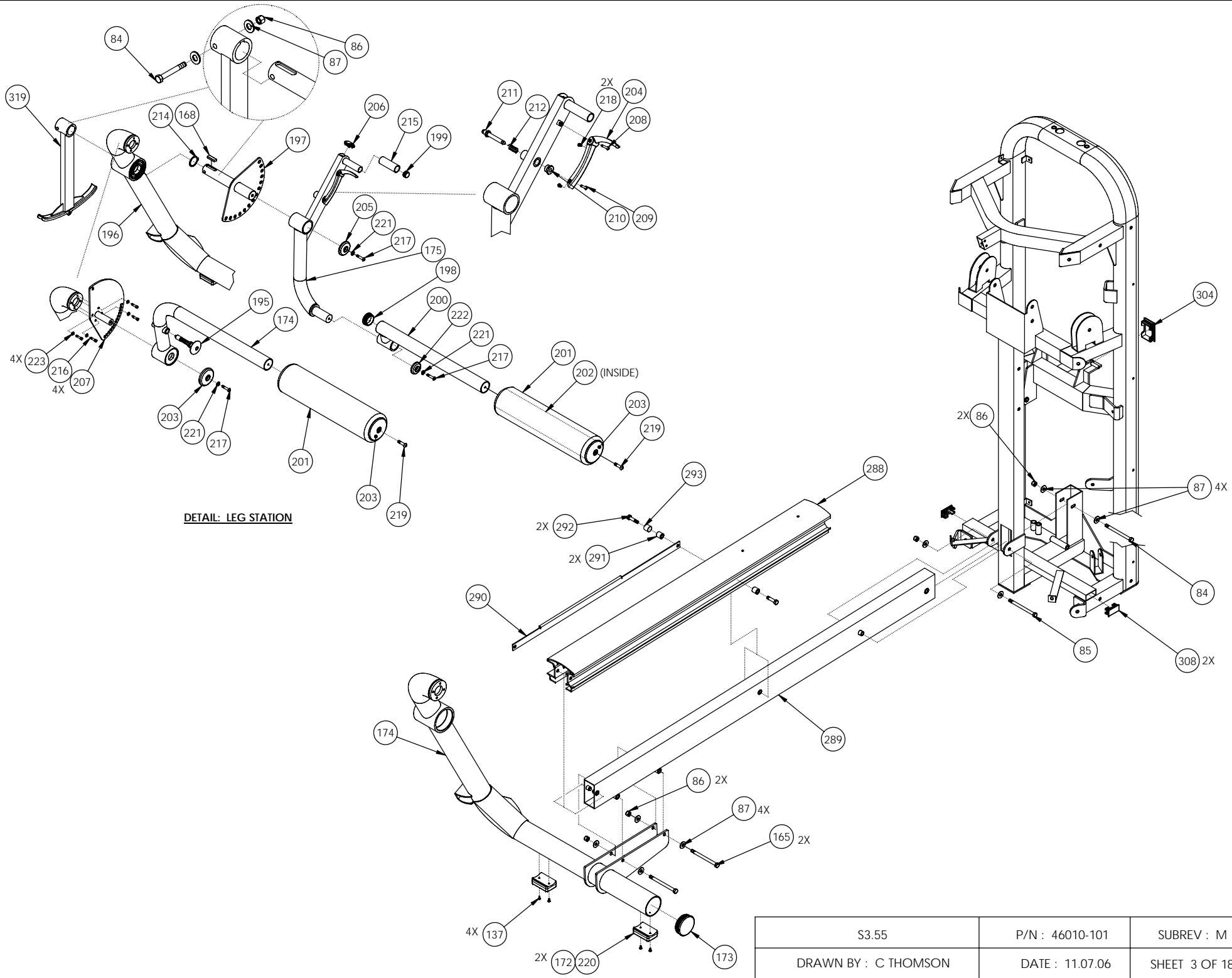
S3.55	P/N : 46010-101	SUBREV : M
DRAWN BY : C THOMSON	DATE : 11.07.06	SHEET 1 OF 18



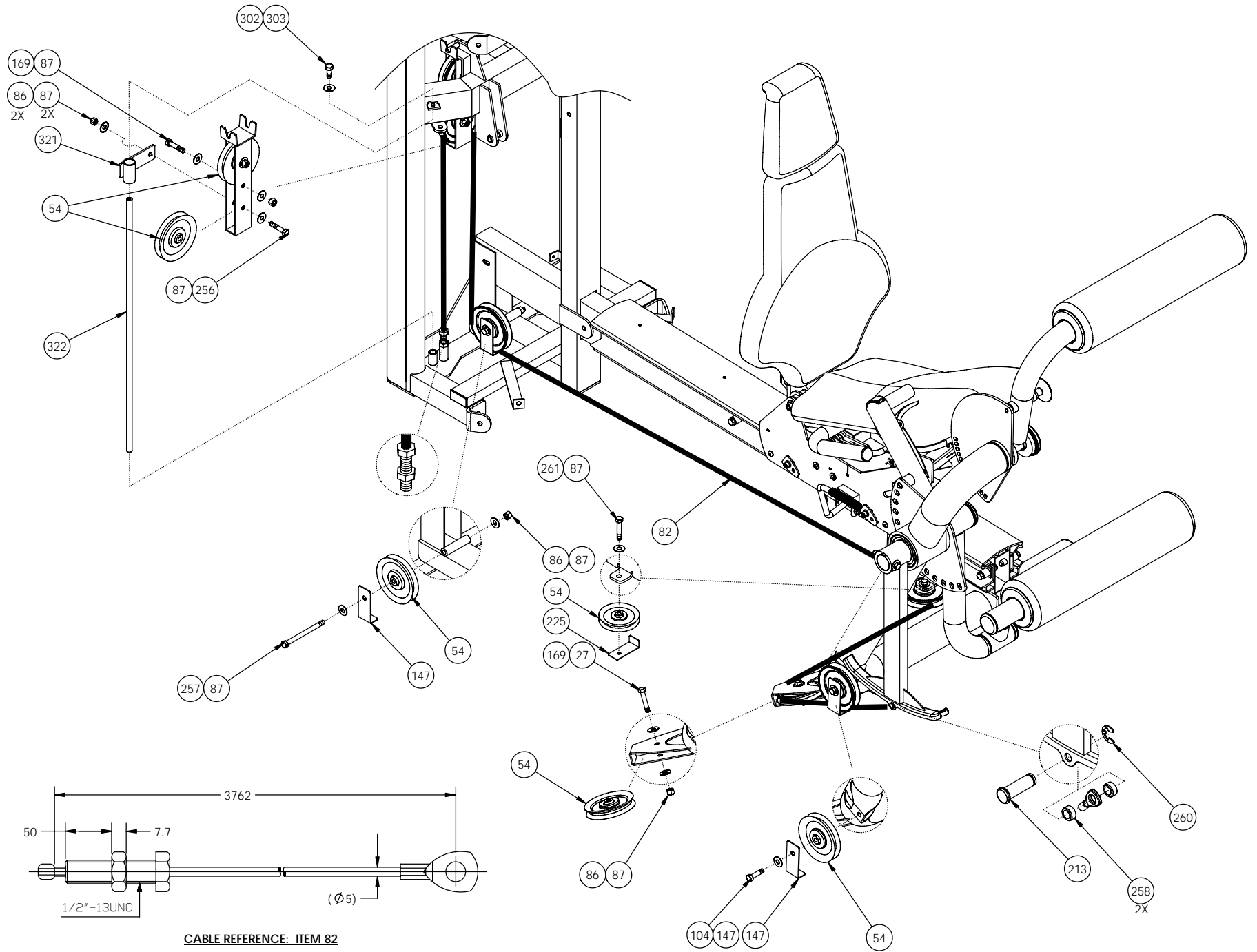
DETAIL: SEAT BASE ASSEMBLY

DETAIL: SEAT CARRIAGE

S3.55	P/N : 46010-101	SUBREV : M
DRAWN BY : C THOMSON	DATE : 11.07.06	SHEET 2 OF 18

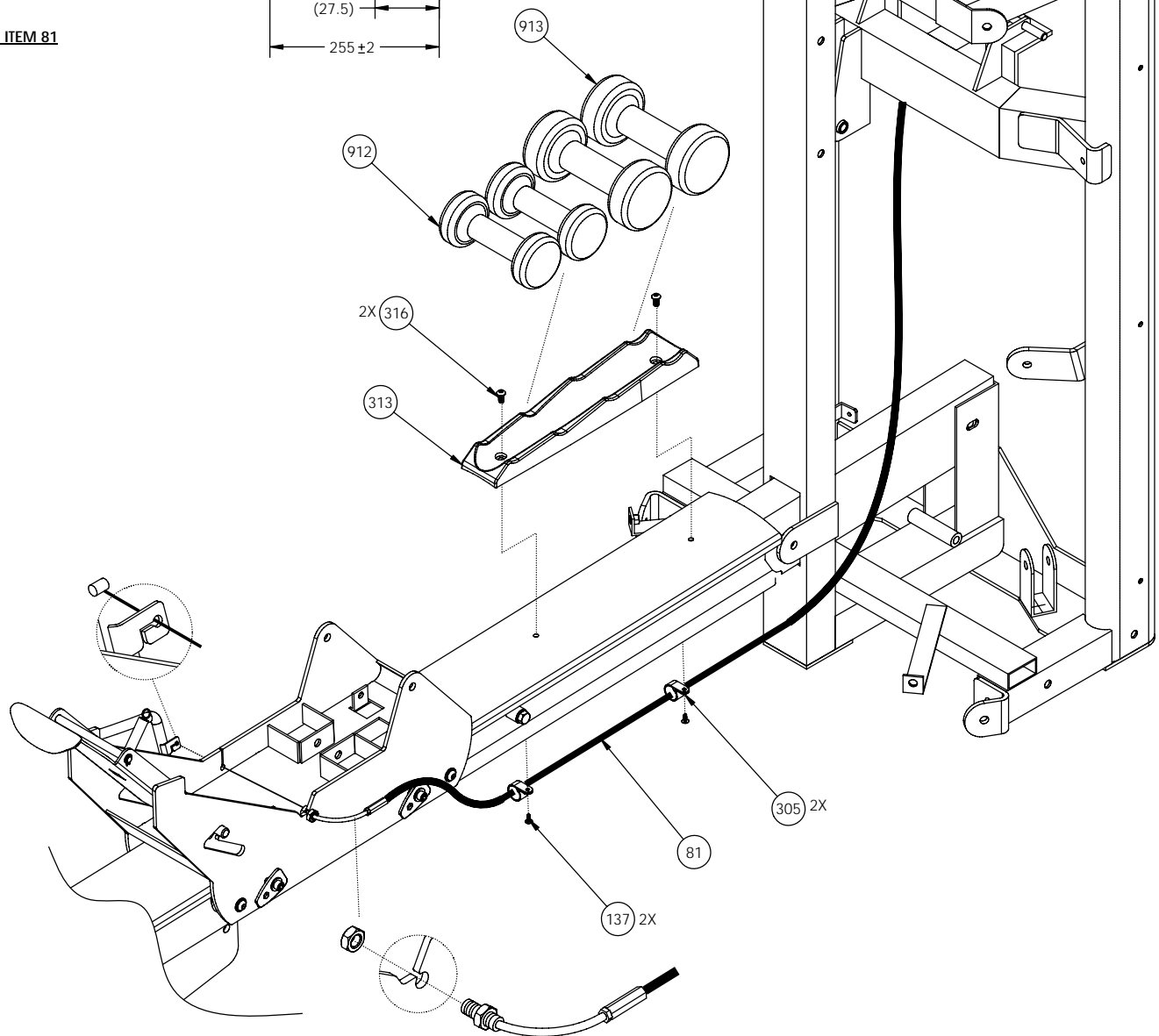
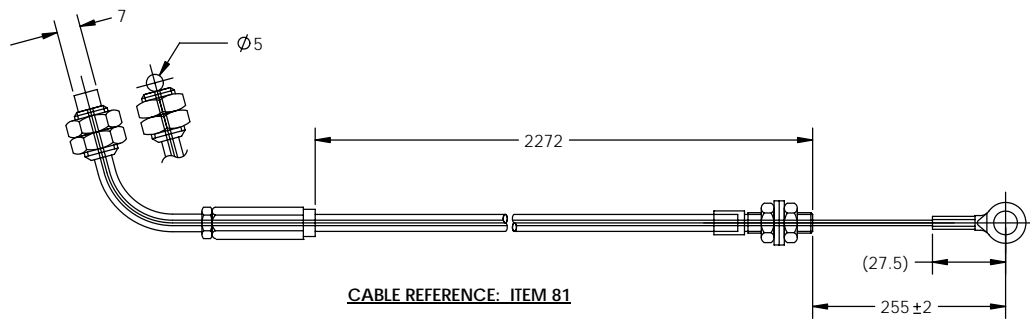


S3.55	P/N : 46010-101	SUBREV : M
DRAWN BY : C THOMSON	DATE : 11.07.06	SHEET 3 OF 18

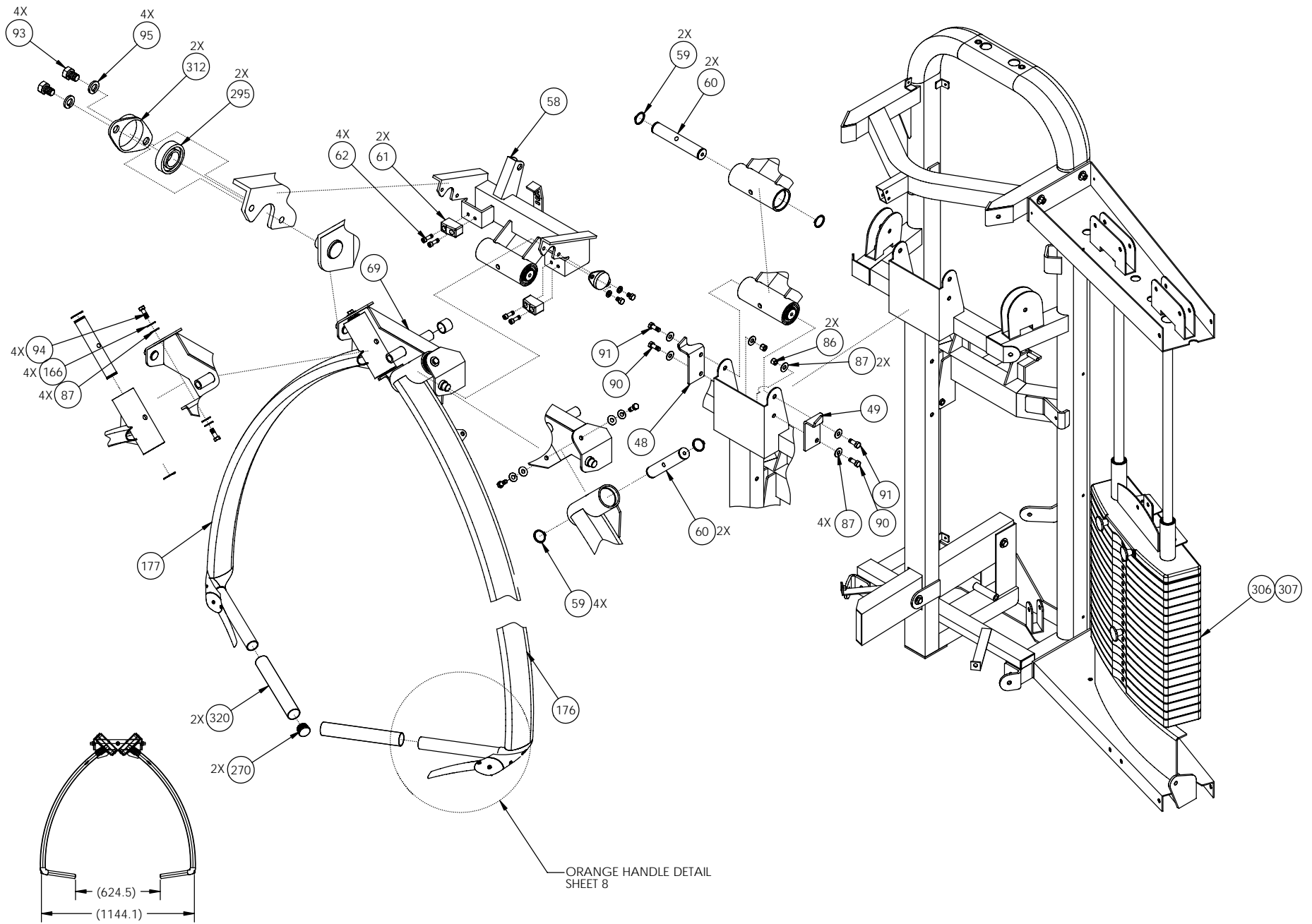


CABLE REFERENCE: ITEM 82

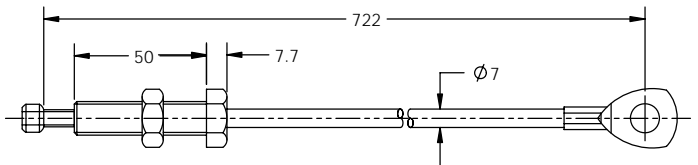
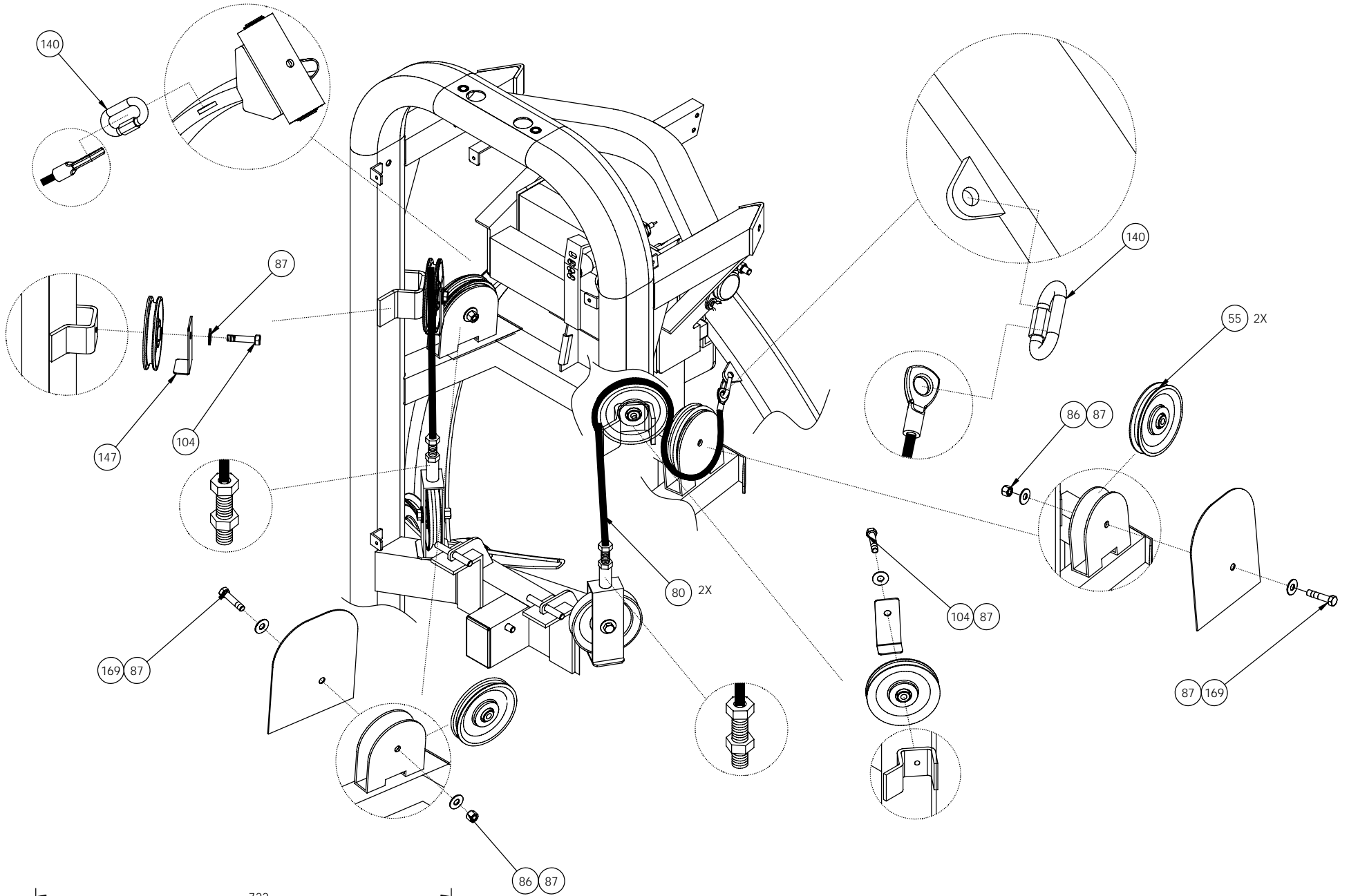
S3.55	P/N : 46010-101	SUBREV : M
DRAWN BY : C THOMSON	DATE : 11.07.06	SHEET 4 OF 18



S3.55	P/N : 46010-101	SUBREV : M
DRAWN BY : C THOMSON	DATE : 11.07.06	SHEET 5 OF 18

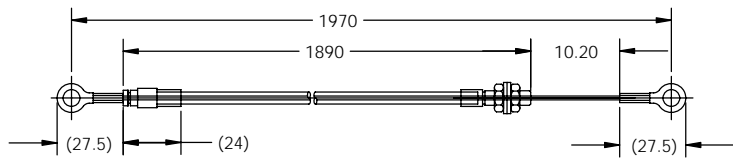


S3.55	P/N : 46010-101	SUBREV : M
DRAWN BY : C THOMSON	DATE : 11.07.06	SHEET 6 OF 18

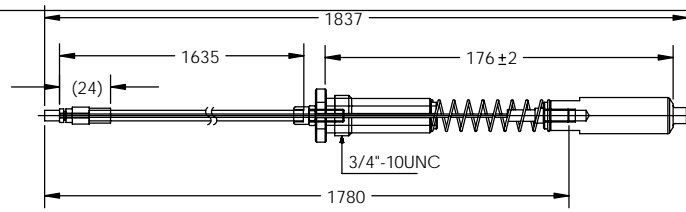


CABLE REFERENCE: ITEM 80

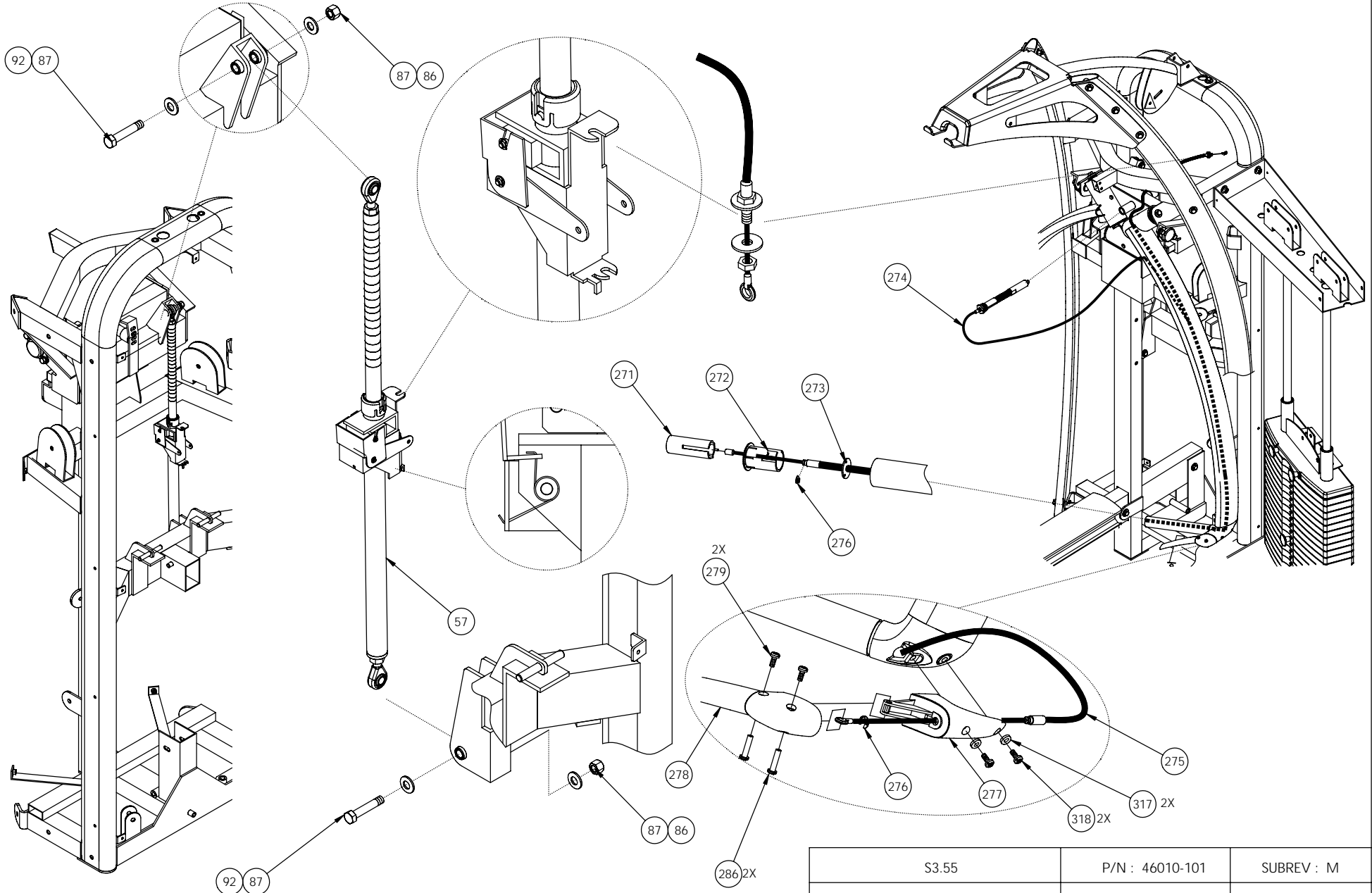
S3.55	P/N : 46010-101	SUBREV : M
DRAWN BY : C THOMSON	DATE : 11.07.06	SHEET 7 OF 18



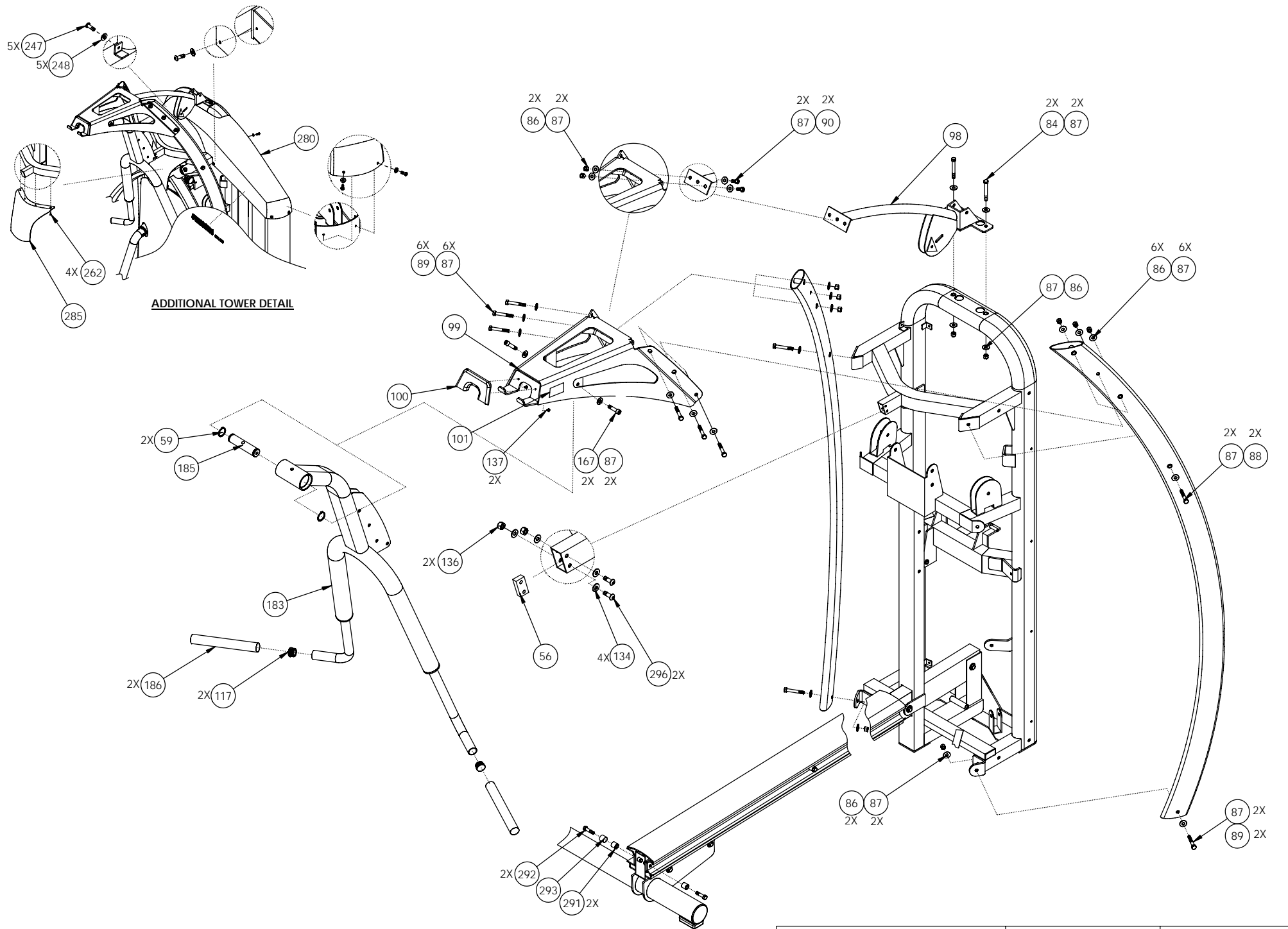
CABLE REFERENCE: ITEM 275



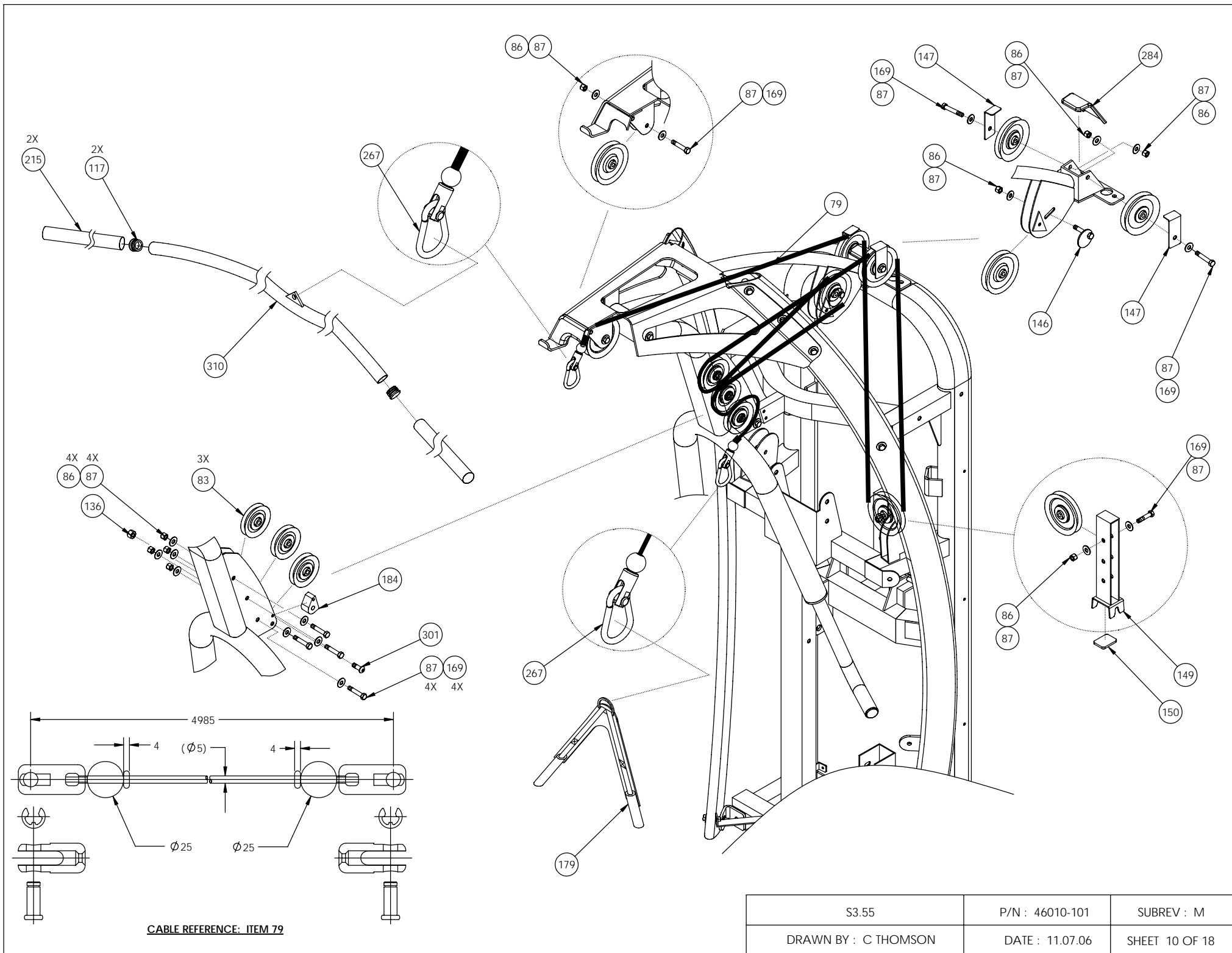
CABLE REFERENCE: ITEM 274



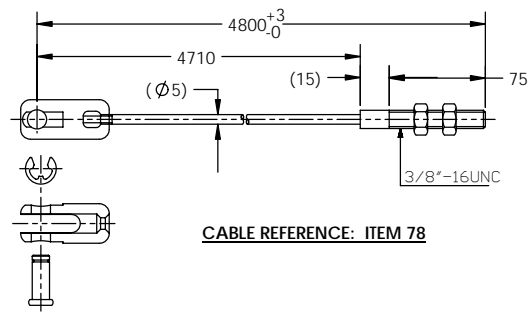
S3.55	P/N : 46010-101	SUBREV : M
DRAWN BY : C THOMSON	DATE : 11.07.06	SHEET 8 OF 18



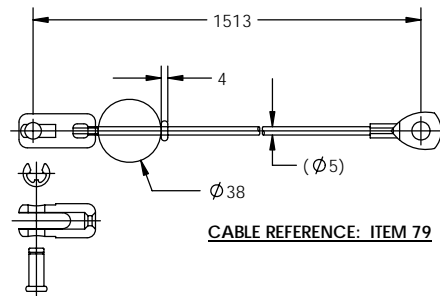
S3.55	P/N : 46010-101	SUBREV : M
DRAWN BY : C THOMSON	DATE : 11.07.06	SHEET 9 OF 18



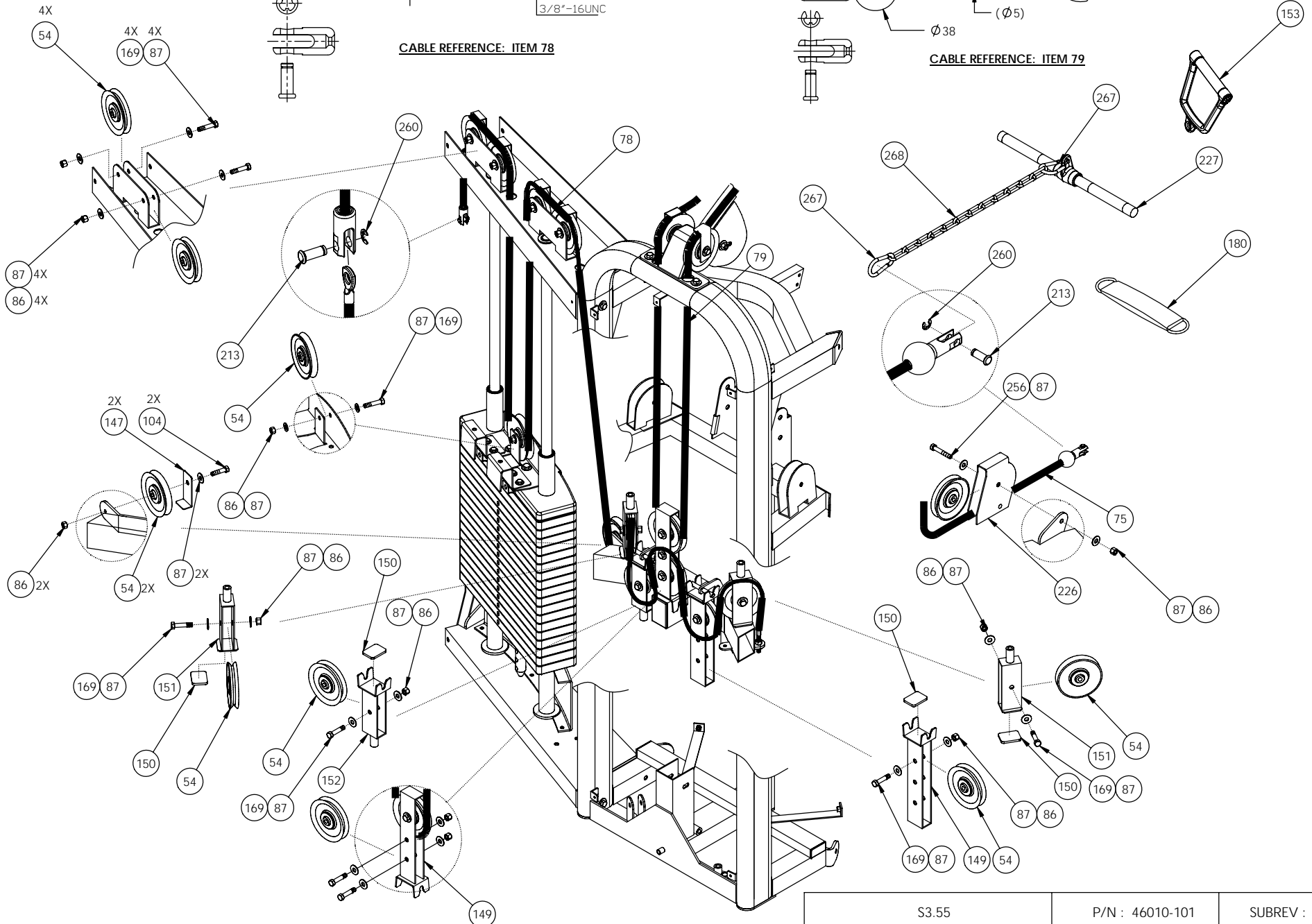
S3.55	P/N : 46010-101	SUBREV : M
DRAWN BY : C THOMSON	DATE : 11.07.06	SHEET 10 OF 18



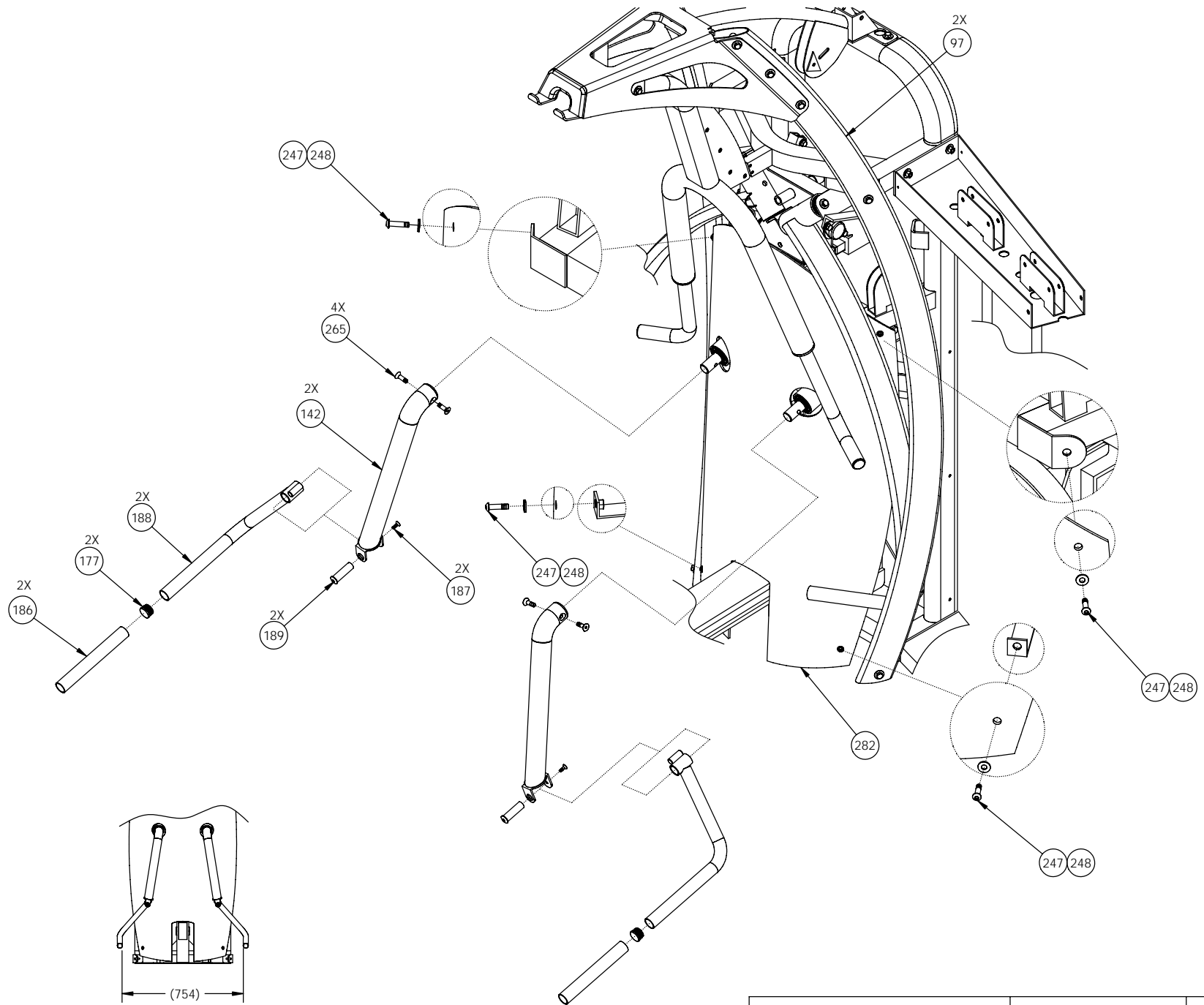
CABLE REFERENCE: ITEM 78



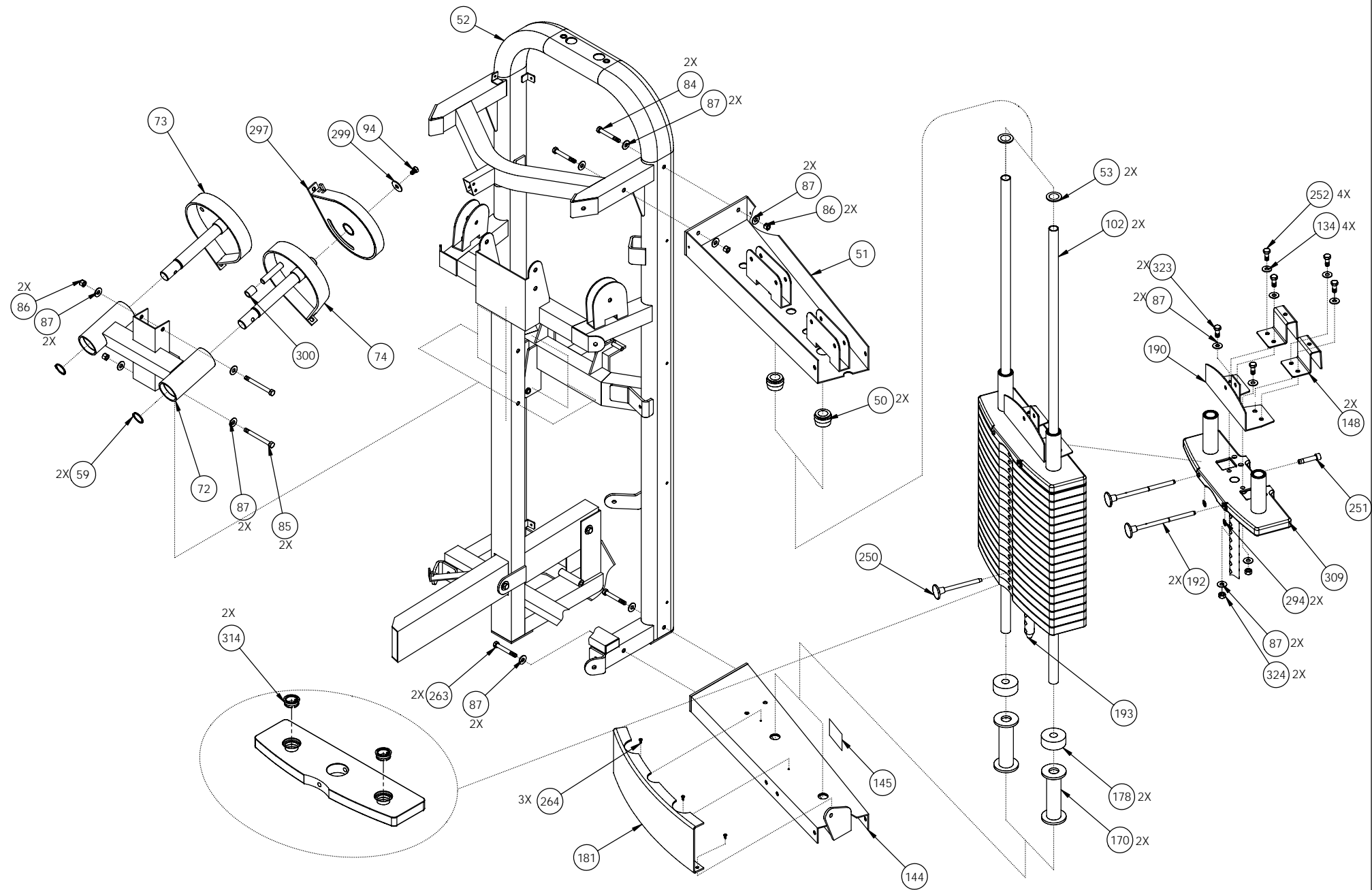
CABLE REFERENCE: ITEM 79



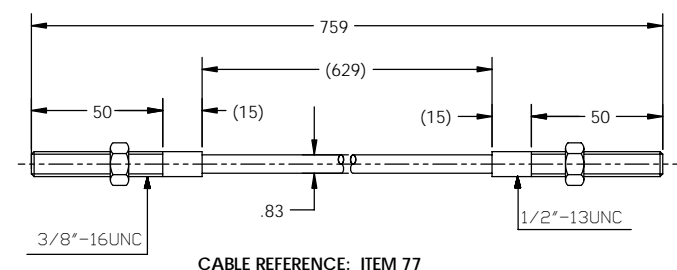
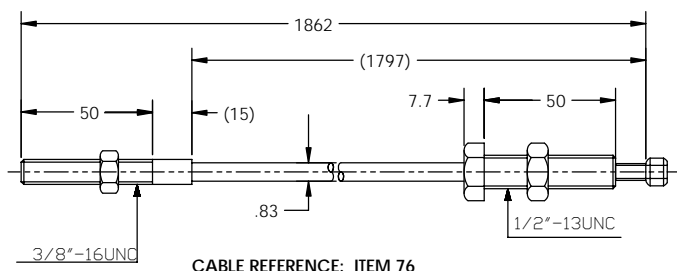
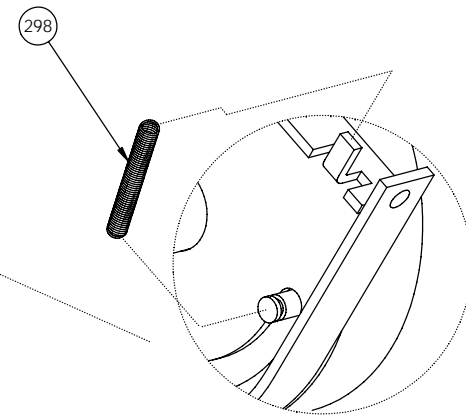
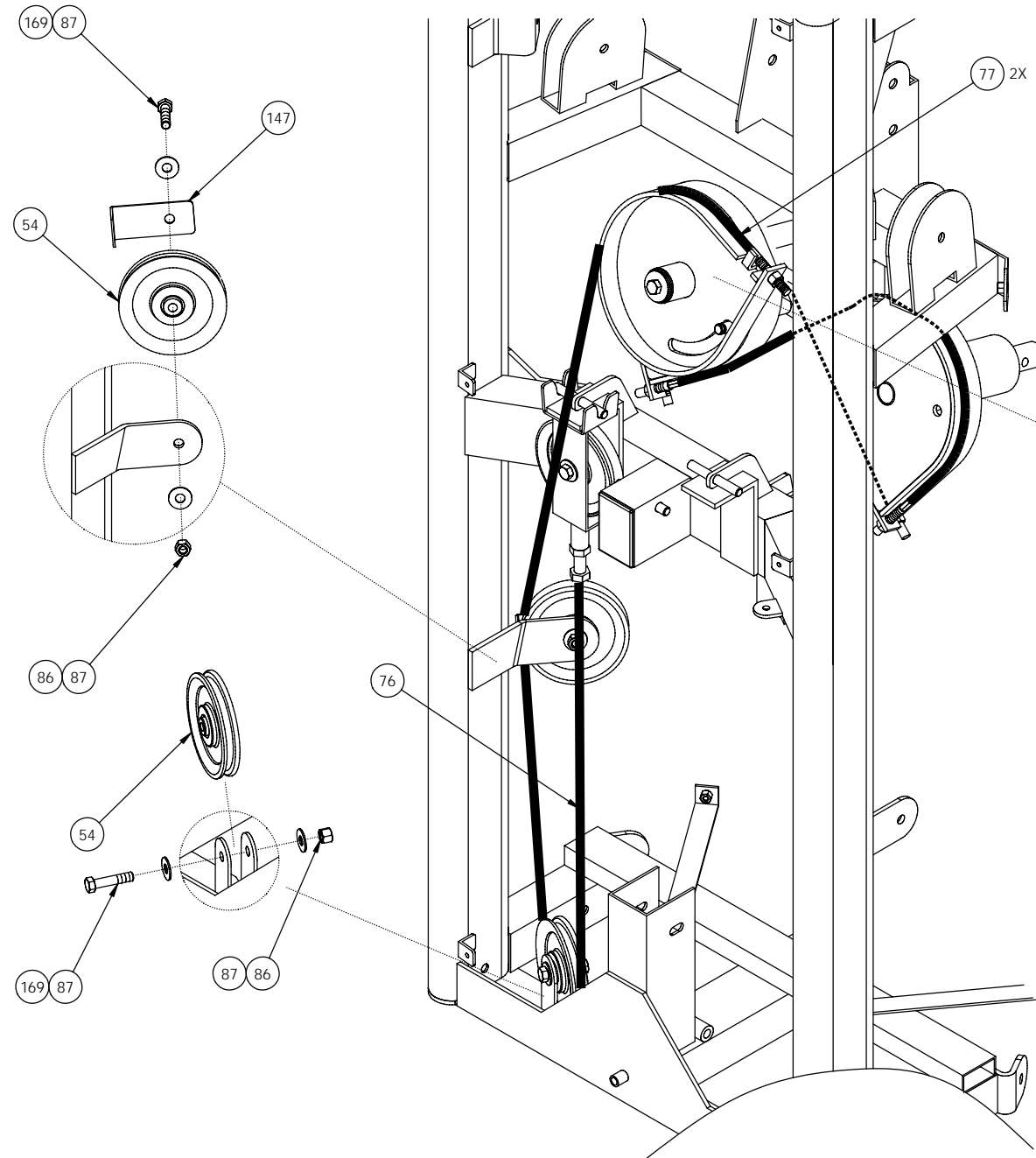
S3.55	P/N : 46010-101	SUBREV : M
DRAWN BY : C THOMSON	DATE : 11.07.06	SHEET 11 OF 18



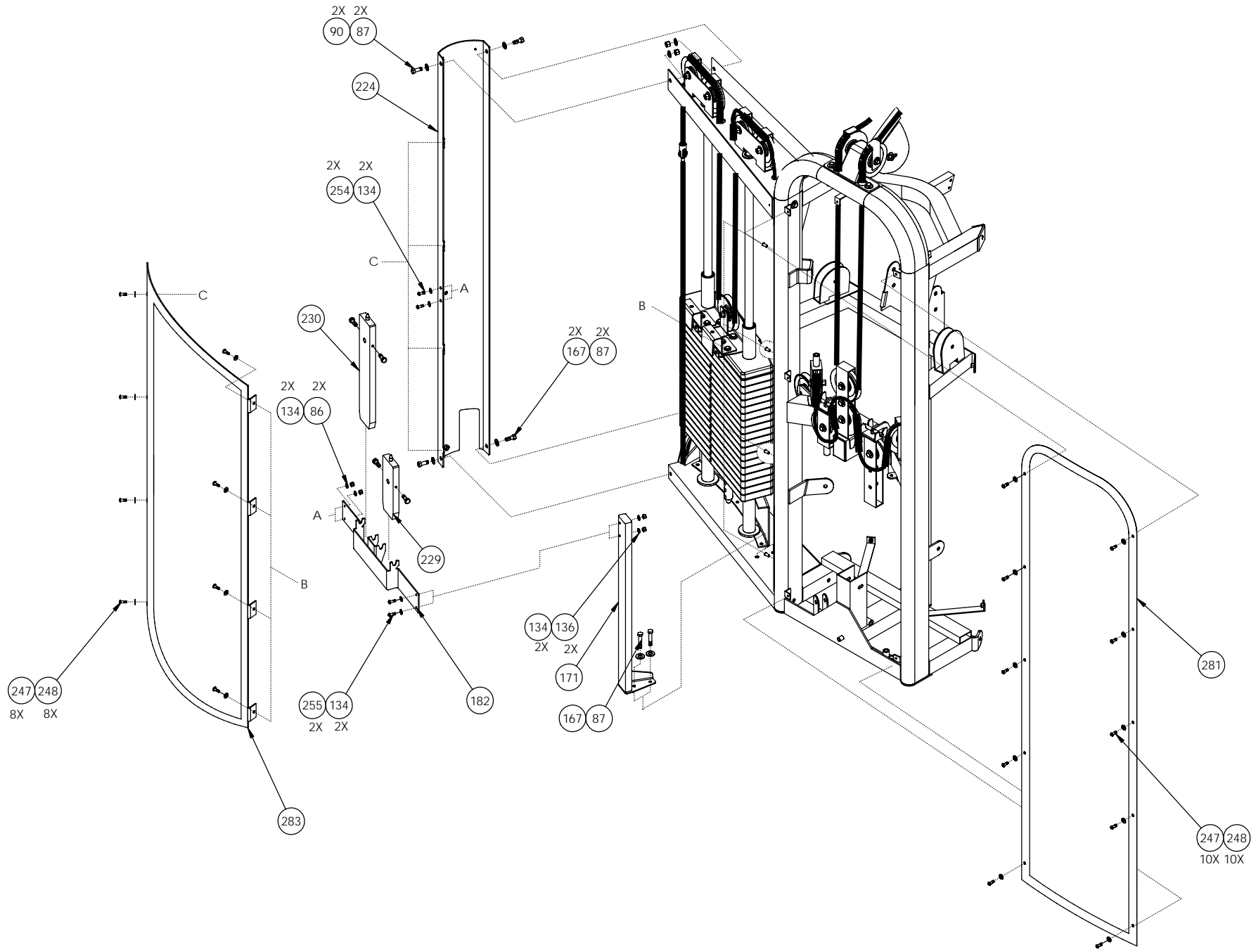
S3.55	P/N : 46010-101	SUBREV : M
DRAWN BY : C THOMSON	DATE : 11.07.06	SHEET 12 OF 18



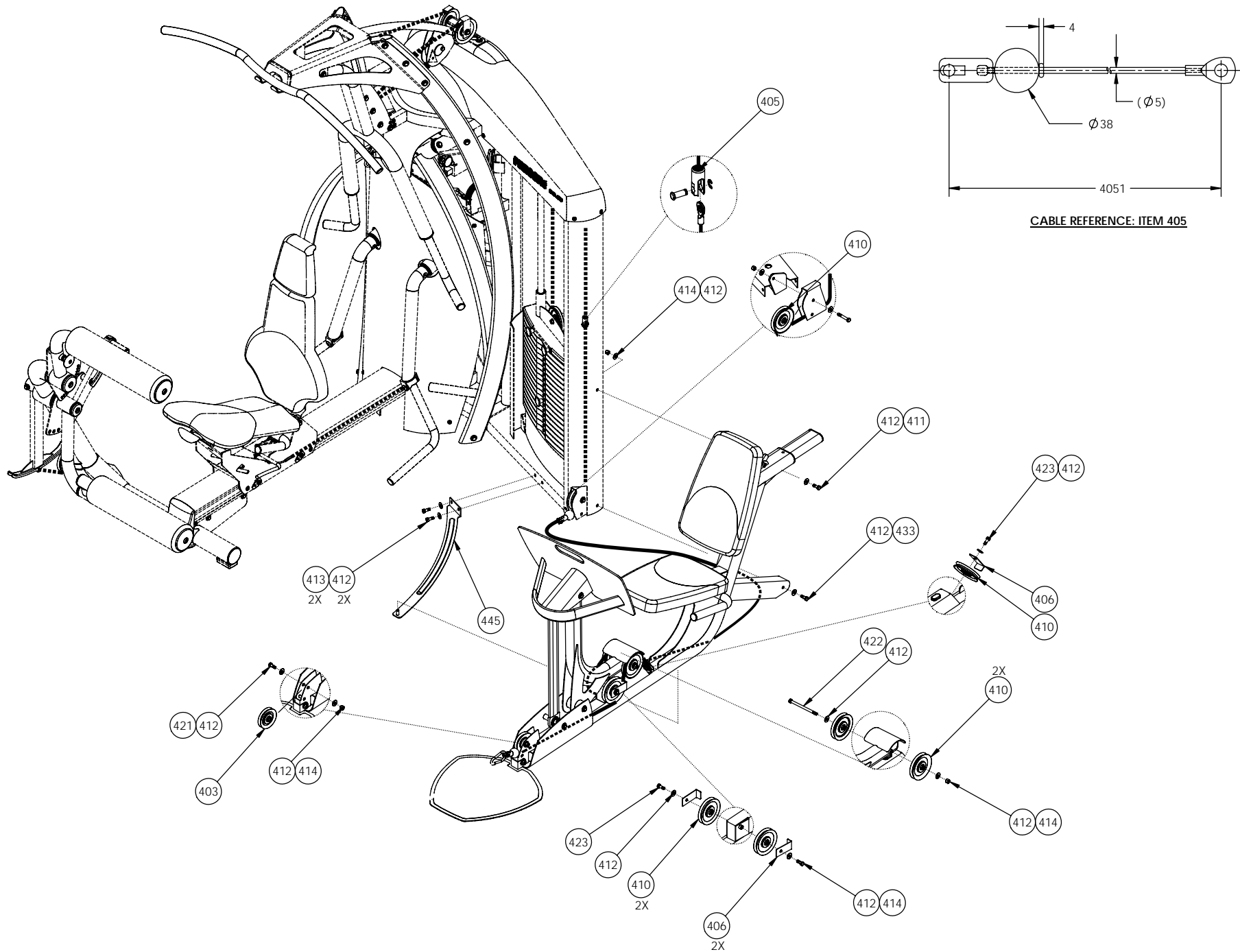
S3.55	P/N : 46010-101	SUBREV : M
DRAWN BY : C THOMSON	DATE : 11.07.06	SHEET 13 OF 18



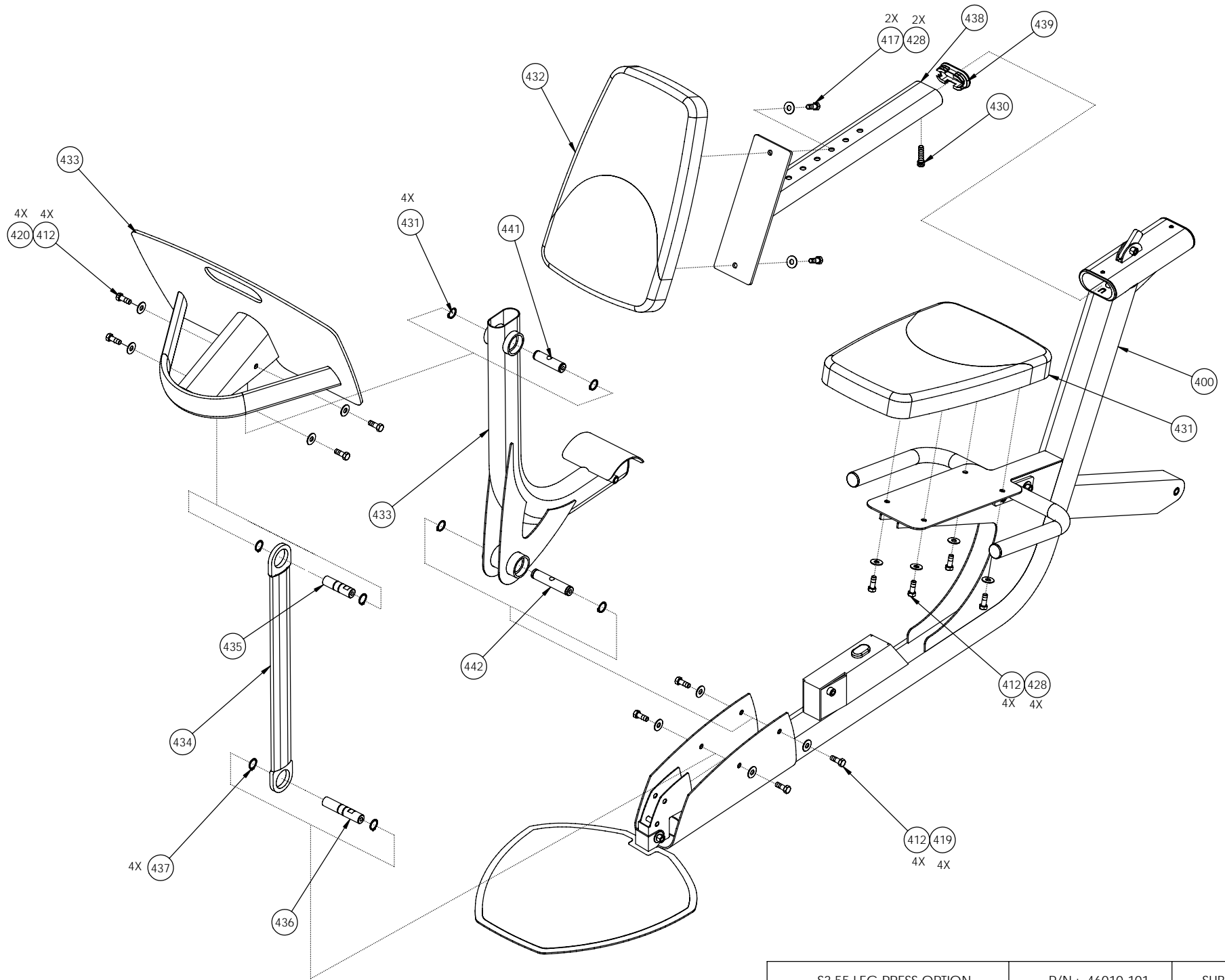
S3.55	P/N : 46010-101	SUBREV : M
DRAWN BY : C THOMSON	DATE : 11.07.06	SHEET 14 OF 18



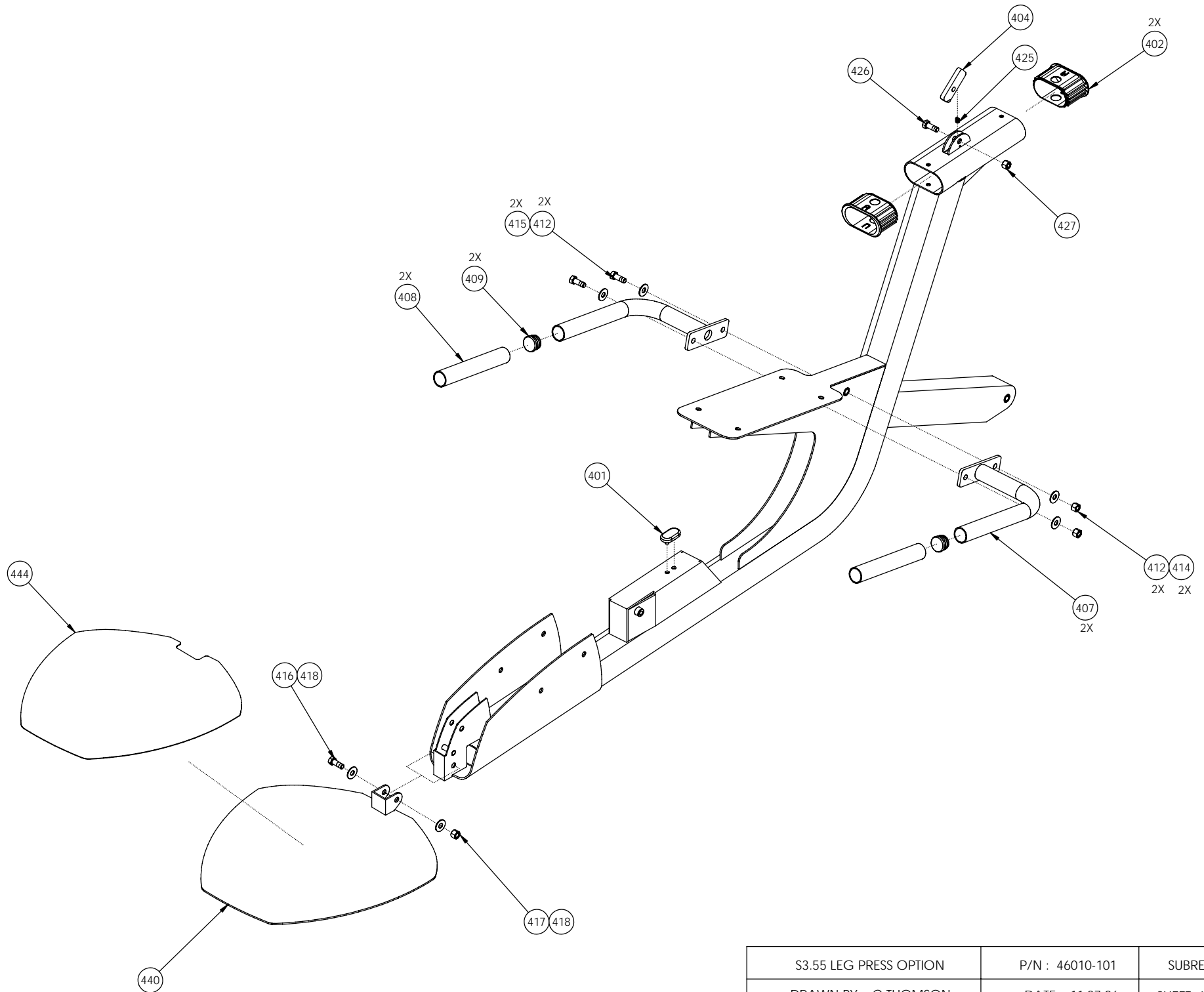
S3.55	P/N : 46010-101	SUBREV : M
DRAWN BY : C THOMSON	DATE : 11.07.06	SHEET 15 OF 18



S3.55	P/N : 46010-101	SUBREV : M
DRAWN BY : C THOMSON	DATE : 11.07.06	SHEET 16 OF 18



S3.55 LEG PRESS OPTION	P/N : 46010-101	SUBREV : M
DRAWN BY : C THOMSON	DATE : 11.07.06	SHEET 17 OF 18



S3.55 LEG PRESS OPTION	P/N : 46010-101	SUBREV : M
DRAWN BY : C THOMSON	DATE : 11.07.06	SHEET 18 OF 18